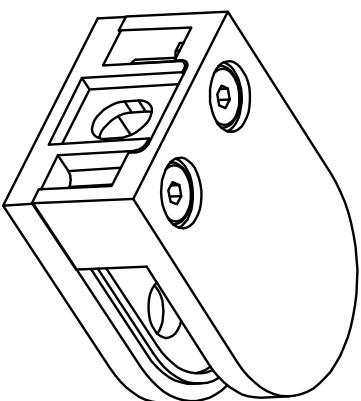
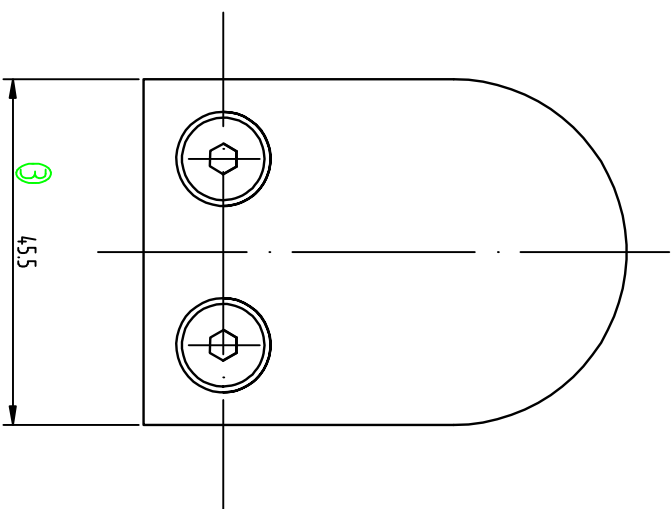
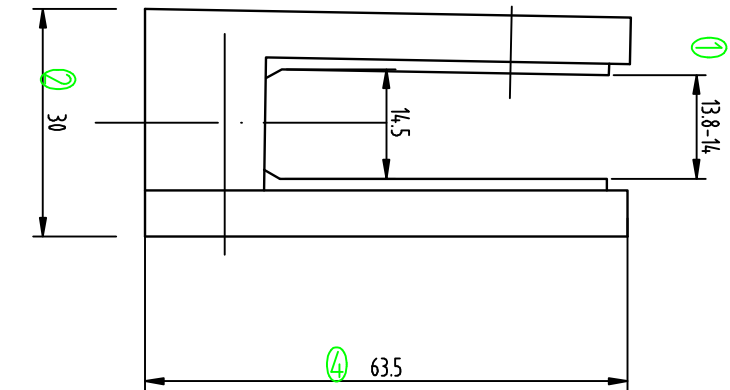


00011JGSS



其余 3.2

**Technical requirements:**

1. Surface satin finish, no burr, no obvious defects.

Tel	0191 488 1112	Material	AISI 316	Weight		<b>DC Handrails &amp; Ironwork Parts Ltd</b>	
Fax	08000 488 578					Name	Glass Clamp
Design		Date		Pattern marking		Item No.	SSGCC11000
Technology							
Audit							
Approval				Total Pages 1	Page 1		